

Wireless Pump Relay Controllers

AKL01PRF / AKL04PRF / AKL06PRF



Pump relay control is now wireless

- Save installation time and wiring costs
- No more running thermostat wires throughout a home
- Put thermostats where they need to go, not where the wires can go
- Wirelessly control the boiler
- Control up to 30 zones in a single boiler system
- Works with wired systems so those hard to reach / broken wire locations can be easily dealt with

SALUS NORTH AMERICA, INC.
850 Main Street
Redwood City, CA 94063
(888) 387-2587 | sales@salusinc.com | www.salusinc.com

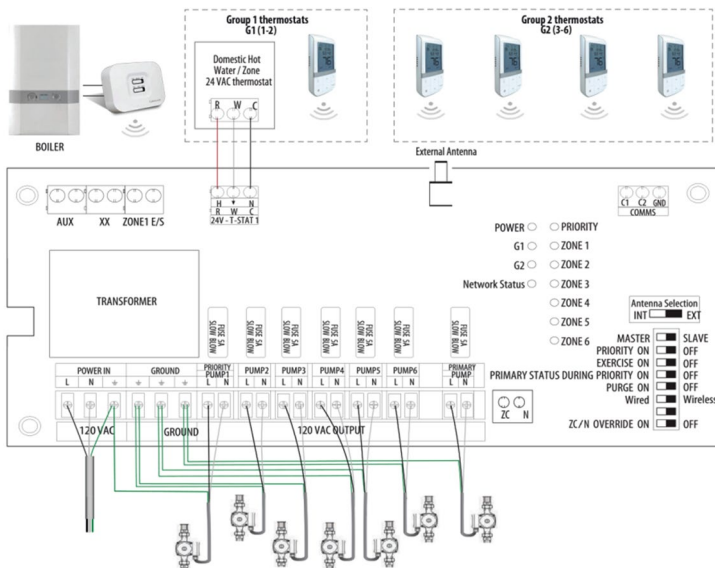


Description and Features

The SALUS Wireless Pump Relay Controllers are devices that communicate with wireless thermostats and receivers to control traditional heating pumps and boilers, and provide the following functions and features:

- Primary pump control
- Priority zone support (domestic hot water)
- Purge – Priority pump continues to run for 2 minutes after end of priority call
- Exercise – pumps turn ON for 30 sec. after 72 hours of inactivity
- Thermostat grouping
- ZC/ZR boiler enable support
- Wireless boiler XX support with a Zigbee Receiver (AX10RF)
- XX and AUX normally open contacts support
- Master / Slave function for up to 5 units (1 master / 4 slaves)
- External Antenna for sheltered locations
- LED indicators for zones and Priority status
- 3 models: AKL01PRF – single zone
AKL04PRF – 4 zone
AKL06PRF – 6 zone

Example Wiring Diagram (AKL06PRF)



Order Details

Model Name: Wired Pump Relay Controller		
Model	Single Unit UPC	Carton GTIN
AKL01PRF	817989023063	10817989023060 (10 pcs)
AKL04PRF	817989023025	10817989023022 (4 pcs)
AKL06PRF	817989023049	10817989023046 (4 pcs)

Specifications	AKL01PRF	AKL04PRF	AKL06PRF
Controls			
Pair Button	✓	✓	✓
Indicators			
Power LED	✓	✓	✓
Network Status LED	✓	✓	✓
Priority LED		✓	✓
Group 1 LED		✓	✓
Group 2 LED		✓	✓
Zone LEDs (1 per zone)	1x	4x	6x
Terminals			
Power In (L, N) 120 VAC 50/60 Hz, max. 20 A.	✓	✓	✓
GND	1x	4x	6x
Primary Pump (L, N) max. 1/6 hp		✓	✓
Pumps (L, N) max. 1/6 hp	1x	4x	6x
Priority on Pump 1		✓	✓
AUX contacts		✓	✓
XX contacts, 120 VAC, 2 A max.	✓	✓	✓
ZONE1 E/S contacts		✓	✓
Wired Priority Thermostat (R, W, C) 24 VAC, max 0.8A		✓	✓
Comm (C1, C2, gnd)		✓	✓
External Antenna	✓	✓	✓
Mechanical			
Keyhole Screw Mounts	3x	4x	4x
Weight		Dimensions	
AKL01PRF	1.23 lbs, 0.56 kg	3.15" x 6.3" x 4.5"	
AKL04PRF	3.14 lbs, 1.43 kg	80 x 160 x 114 mm	
AKL06PRF	3.38 lbs, 1.53 kg	3.15" x 11" x 9.25"	
		80 x 280 x 235 mm	
Power			
Supply: 120 VAC, 60 Hz Fuse: 5A slow blow, 5x15 mm (2AG)			
Radio			
802.15.4 (2.54 GHz), Zigbee HA 1.2 based protocol			
Environmental			
Operating: 32° - 110° F, 0° - 43° C, 20 - 90% RH, non-condensing Storage: 32° - 122° F, 0° - 50° C, 20 - 90% RH, non-condensing			
Agency Compliance			
ETL certified to CSA C22-2 No. 24 and UL873 FCC, Industry Canada CE: RoHS, REACH, WEEE Warranty: 5 years limited warranty			
Compatible Devices			
ANT10RF Zigbee External Antenna AWRT10RF Wireless Radiant Thermostat AX10RF Zigbee Receiver SG888ZB Universal Gateway			

Note: Specifications are subject to change without notice

