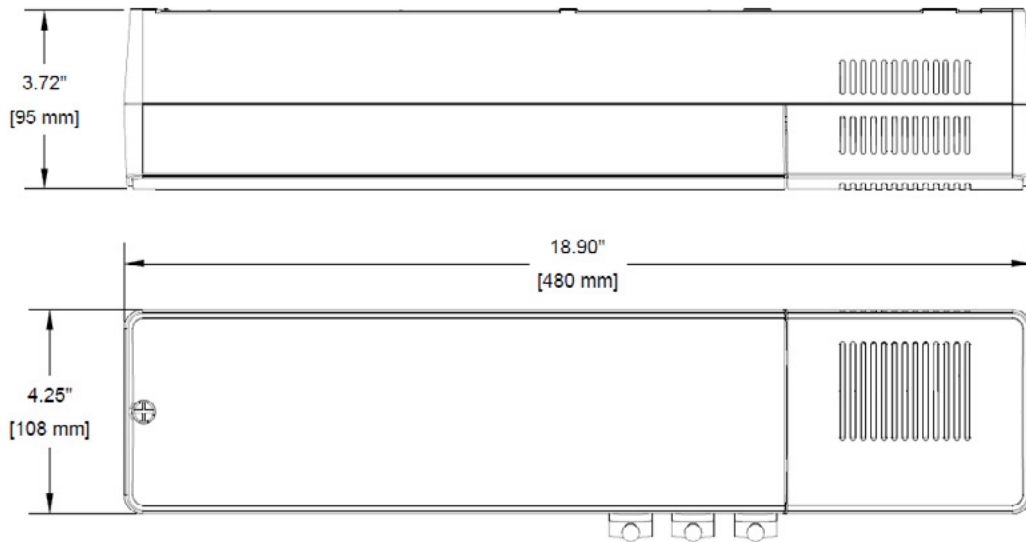


AKL08RF 8 Zone Valve Relay Controller

Job or Customer			
Location			
Engineer			
Contractor			
SALUS Rep			
Submitted by		Date	
Approved by		Date	

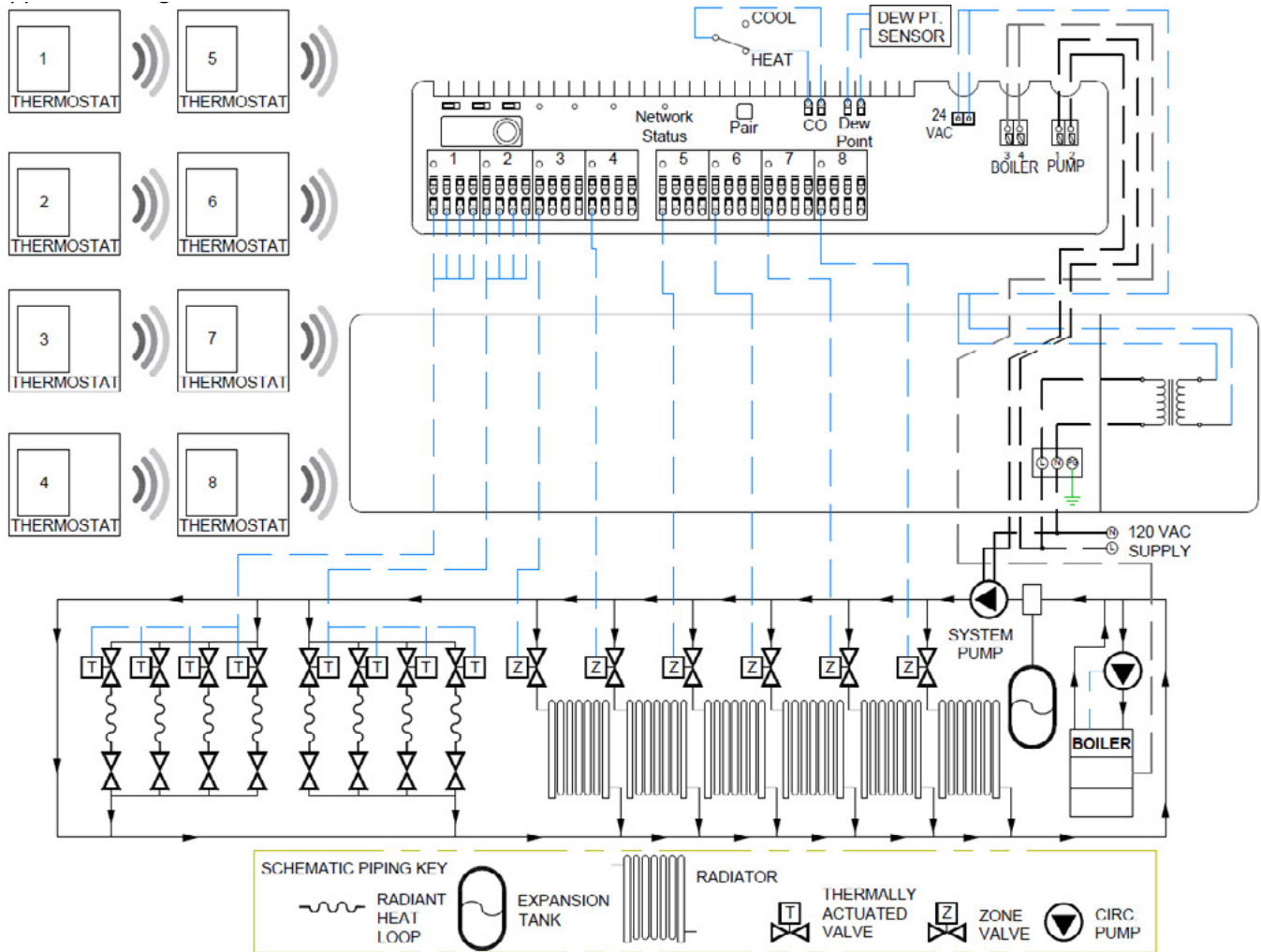
The SALUS AKL08RF Wireless Zone Valve Relay Controller connects up to 32 zone valves in 8 zones based on input from wireless thermostats. Voltage free connections are available to provide boiler heat demand and system pump operation. Jumpers to set boiler off delay or NC/NO valve actuators. An optional external thermostat can be used to enhance signals. The AKL08RF is designed to integrate with your SALUS wireless communication system allowing remote monitoring with the SALUS Smart Home application on your smart device or computer.



Features	Specifications				
<ul style="list-style-type: none"> • Wireless communication with thermostats and appliances • Works with normally open (NO) or normally closed (NC) zone valves • Remote monitoring with SALUS Smart Home application • Dewpoint sensing and input for heating/cooling changeover. • USB Connection to allow mounting of an AC10RF Coordinator (sold separately) • Sturdy design with easy maintenance. 	Model	AKL08RF 8-Zone Valve Relay Controller			
	Package Dimensions	<i>Length</i>	<i>Width</i>	<i>Height</i>	
		21.31"	6.85"	6.45"	
		54.1 cm	17.4 cm	16.4 cm	
	Materials	PC/ABS Plastic			
	Approvals	ETL(US/CAN), Rohs, REACH, WEEE			
	Environmental	Operation: 32-122°F (0-50°C) < 95% RH Non-condensing			
		Storage: -4-140°F (0-60°C) < 95% RH Non-condensing			
Electrical	Power Input 120 Vac / 60 HZ				
	Output: 24 Vac/60 HZ (80VA) – Maximum total load: 4A				
Warranty	5 year limited				

AKL08RF 8 Zone Valve Relay Controller

Application Diagram



Compatible Equipment

SG888ZB Gateway	AWRT10RF Thermostat
AC10RF Coordinator	A30NC/NO24 Thermal Actuator
AX10RF Receiver	ANT10RF External Antenna