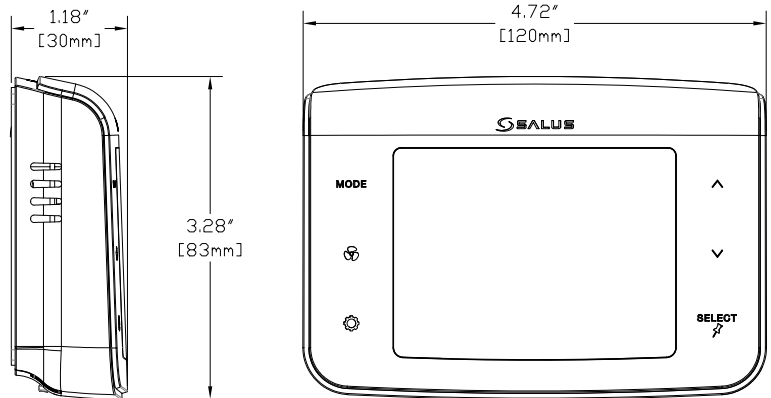


SALUS® SUBMITTAL

SC102ZB Wireless Fan Coil Controller

Job or Customer			
Location			
Engineer			
Contractor			
SALUS Rep			
Submitted by		Date	
Approved by		Date	

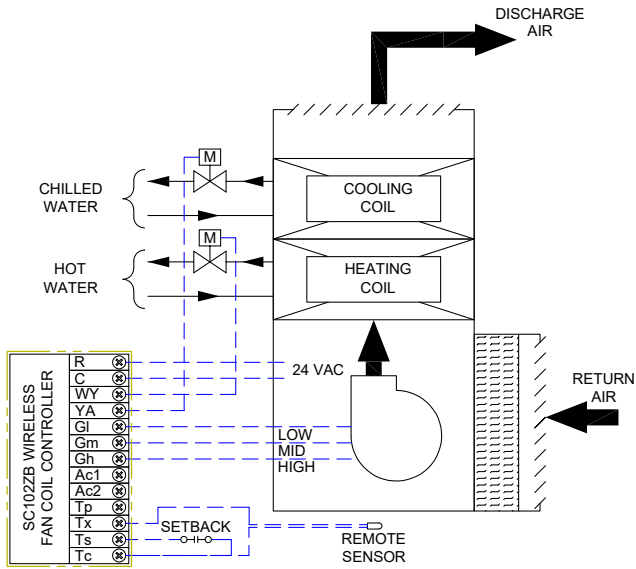
The SC102ZB Wireless Fan Coil Controller is a control unit for commonly available fan coil units. The SC102ZB connects directly to the fan coil unit and communicates wirelessly with the ST103ZB Wireless Fan Coil Remote for heating, cooling, and fan speed control. In addition, the SC102ZB can control auxiliary devices such as humidity control and energy recovery ventilation. The SC102ZB also supports a pipe sensor, a remote temperature sensor and setback contacts from a remote switch or timer. The integrated LCD display allows installation of the fan coil and controller before installing the ST103ZB remote.



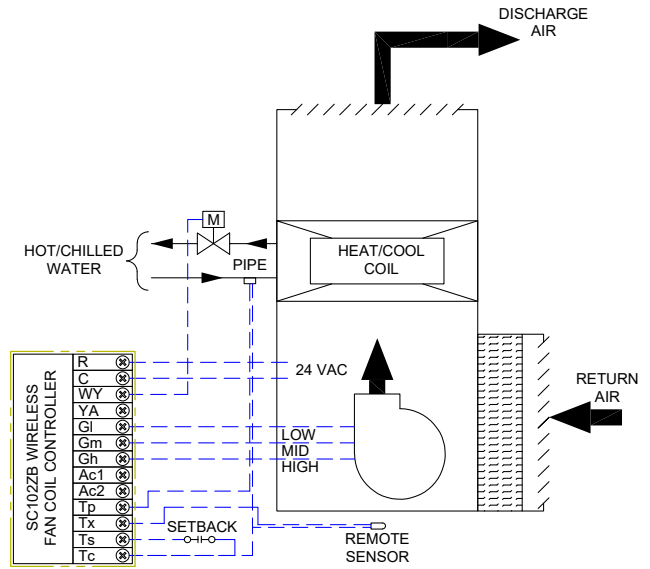
Features	Specifications					
<ul style="list-style-type: none"> • Built-in wireless communication support • Operates as standalone wireless or web connected system • Supports 2-pipe or 4-pipe Fan Coil Units • Manual, seasonal, or automatic Heating/Cooling changeover • Supports auxiliary heat • Supports remote setback switch • Test mode shows external and pipe temperature readings • Auxiliary output for humidification, dehumidification or energy recovery ventilation • Local display provides installer access to configuration settings • Keylock function • Manual override • Occupancy contact input • Mounts on 2x4 junction box • External antenna input for radio shadow issues 	Model	SC102ZB Wireless Fan Coil Controller				
	Package Dimensions	<i>Length</i>	<i>Width</i>	<i>Height</i>	Package Weight	
		5.95"	3.55"	1.65"		0.6 Lbs
		152 mm	91 mm	42 mm		270 g
	Enclosure Material	White PC/ABS Plastic				
	Approvals	Meets Class B ICES & FCC Part 15				
	Operating Temperature	Indoor use only, 32 to 122°F (0 to 50°C), RH <90% non-condensing				
	Storage Temperature	14 to 140°F (-10 to 60°C)				
	Power Supply	24 vac ± 10%, 60 Hz (AC Power Detection)				
		0.73 VA Standby, 56 VA fully loaded NEC/CED Class 2				
	Sensors	NTC thermistors, 10 kΩ @ 77°F (25°C ± 0.2°C)				
	Output Rating	Fan Control – 1 A / Control Output – 1 A / Max. Total Load – 1 A				
	Zigbee Signal	Tx Power +16 dBm Maximum				
		Rx Sensitivity -95 dBm				
User Interface:	Backlit Fixed segment LCD Display					
	6 Touch Function Keys: Mode/Fan/Options/Up/Down/Select					
	User settings stored in non-volatile memory					

SC102ZB – Wireless Fan Coil Controller

4-Pipe Heating/Cooling System



2-Pipe Heating/Cooling System

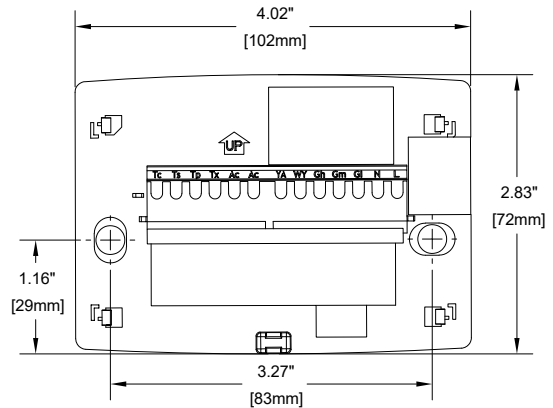


Term	Function
R	24 VAC Power Input
C	24 VAC Common
Gl	Fan Output – Low Speed
Gm	Fan Output – Mid Speed
Gh	Fan Output – High Speed
WY	Hot/Chilled Water Valve Output
YA	Chilled Water Valve/Auxiliary Heat Output
Ac1	Dry Contacts for Accessory Output (Humidifier/Dehumidifier/ERV/HRV)
Ac2	
Tx	External Temperature Sensor
Tp	Pipe Temperature Sensor
Ts	Setback Contact Input
Tc	Tx/Tp/Ts Common

Part No.	Description
	10 kΩ NTC Pipe Sensor
	10 kΩ NTC External Sensor
ANT10RF	External Zigbee Network Antenna

Part No.	Description
ST103ZB	Wireless Fan Coil Remote
SG888ZB	Basic Gateway

Backplate Mounting Detail



850 Main Street
Redwood City, CA 94603