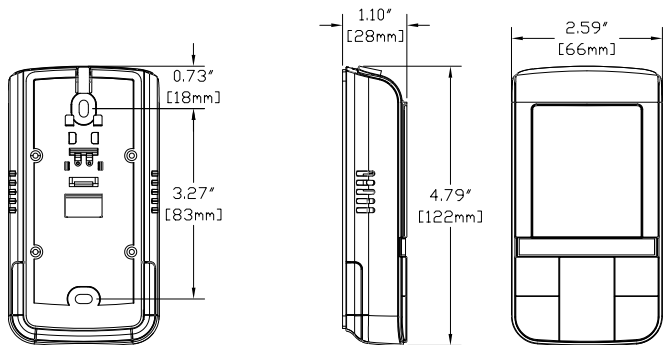


ST103ZB Wireless Fan Coil Remote

Job or Customer			
Location			
Engineer			
Contractor			
SALUS Rep			
Submitted by		Date	
Approved by		Date	

The ST103ZB Wireless Fan Coil Remote communicates wirelessly with the SC201ZB Wireless Fan Coil Controller to maintain the space temperature serviced by the fan coil unit. The battery operated ST103ZB Remote provides the user interface to temporarily override the programmed setpoint or adjust the fan speed of the fan coil unit while monitoring and maintaining the space temperature. The ST103ZB can be wall mounted or placed on a desk top using the desk stand. Wall mounting is required when used with a floor temperature sensor.

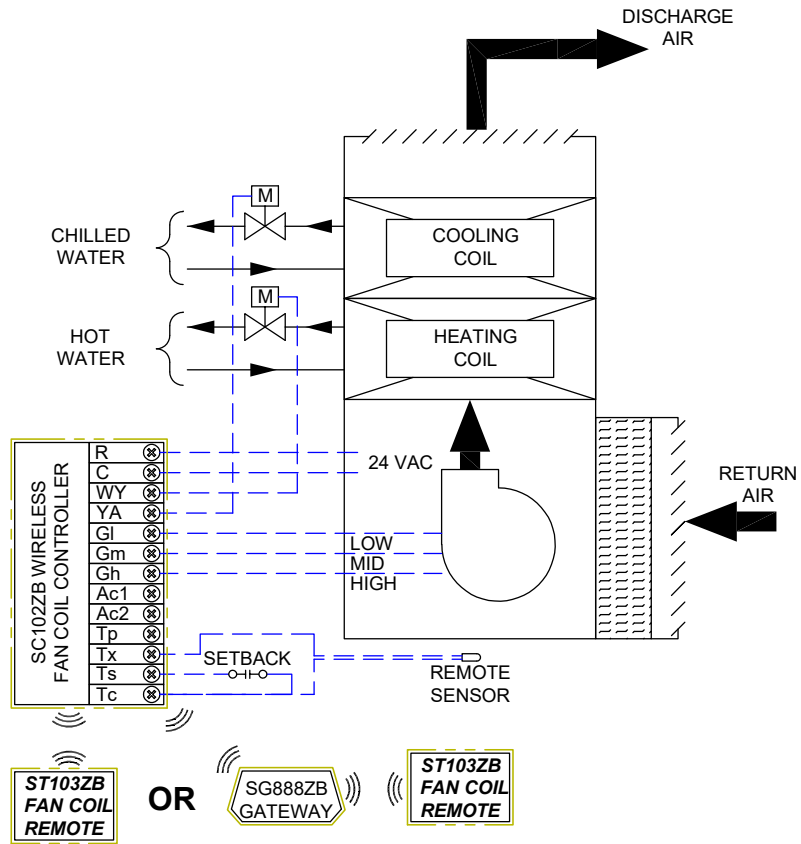


Features	Specifications				
<ul style="list-style-type: none"> • Built-in wireless communication support • Readily available alkaline batteries (2x AA) • 2 year expected battery life • User interface for Wireless Fan Coil Controller • Remotely setup and test Fan Coil Controller • Occupancy display • Keylock function • Mountable on 2x4 junction box • Desk stand included 	Model	ST103ZB Wireless Fan Coil Remote			
	Package Dimensions	<i>Length</i>	<i>Width</i>	<i>Height</i>	Package Weight 0.82 Lbs 370 g
		6.1"	3.5"	3.8"	
		15.5 cm	8.9 cm	9.7 cm	
	Enclosure Material	White PC/ABS Plastic			
	Approvals	Meets Class B ICES & FCC Part 15			
	Operating Temperature	Indoor use only, 32 to 122°F (0 to 50°C), RH <90% noncondensing			
	Storage Temperature	14 to 140°F (-10 to 60°C)			
	Power Supply	2 x AA, Alkaline Batteries			
	Temperature Sensor	Internal thermistors, 10 kΩ @ 77°F (25°C ± 0.2°C)			
Measurement Range: 32 - 99°F (0 - 40°C)					
Resolution: 1°F (0.5°C)					
User Interface	Set point range	Heating: 41 - 92°F (5 - 33.5°C)			
		Cooling: 44 - 95°F (6.5 - 35°C)			
	Controls:	Mode	Enter	⤴	
		Fan	Settings	⤵	
Indications: Temperature, Day of the Week, Heat/Cool, Settings, Key Lock					
Backlit fi ed segment LCD Display, User settings stored in non-volatile memory					

ST103ZB Wireless Fan Coil Remote

Application Notes/Diagrams

Typical 4-pipe installation



Compatible Equipment

SC102ZB	Wireless Fan Coil Controller
SG888ZB	Universal Gateway



850 Main Street
Redwood City, CA 94603