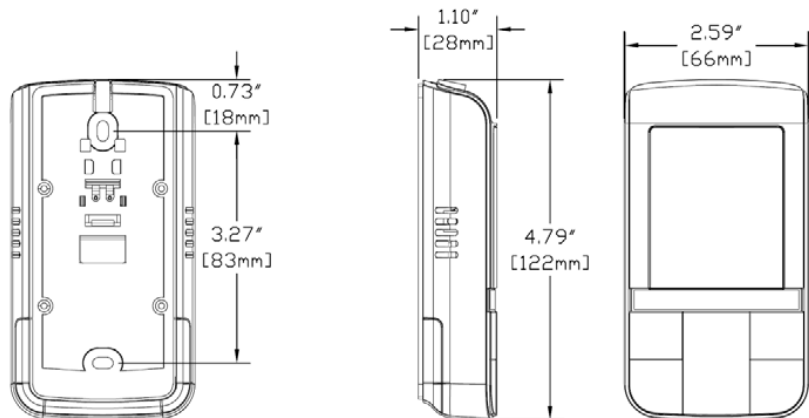


AWRT10RF Wireless Radiant Thermostat

Job or Customer			
Location			
Engineer			
Contractor			
SALUS Rep			
Submitted by		Date	
Approved by		Date	

The AWRT10RF Wireless Radiant Thermostat communicates wirelessly with the SALUS Wireless System to monitor and maintain the temperature of the space being heated. This thermostat will can be set up in systems with AKL01/04/06PRF or AKL08RF Wiring Centers/ Relay Controllers, ARV10RFM-3 radiator valve actuators or AX10RF receivers. The battery operated AWRT10RF thermostat can also setup and run an internal setpoint schedule and monitor an external temperature sensor as an ambient or floor sensor.



Features	Specifications				
<ul style="list-style-type: none"> • Built-in wireless communication support • Optional web-connected mode • Floor protection when floor sensor is used • Automatic freeze protection • Three schedule modes, 6 periods per schedule • Remote or local schedule setup • 6-button touch keypad • Local or remote initiated keylock • 1.5 year expected battery life 	Model	AWRT10RF Wireless Radiant Thermostat			
	Package Dimensions	<i>Length</i>	<i>Width</i>	<i>Height</i>	Package Weight
		6.18"	2.8"	1.45"	0.5 Lbs
		15.7 cm	7.2 cm	3.7 cm	230 g
	Enclosure Material	White PC/ABS Plastic			
	Approvals	Meets Class B ICES & FCC Part 15			
	Operating Temperature	Indoor use only, 32 to 122°F (0 to 50°C), RH <90% noncondensing			
	Storage Temperature	14 to 140°F (-10 to 60°C)			
	Power Supply	2 x AA alkaline batteries			
	Temperature Sensor	Internal thermistors, 10 kΩ @ 77°F (25°C) ± 0.2°C			
Measurement Range: 32 - 99°F (0 - 40°C)					
Resolution: 1°F (0.5°C)					
User Interface	Set Point Range Heating: 41 - 92°F (5 - 33.5°C) / Cooling: 44 - 95°F (6.5 - 35°C)				
	Indications: Temperature, Day of the Week, Heat/Cool, Settings, Key Lock				
	Backlit fixed segment LCD Display, User settings stored in non-volatile memory				

AWRT10RF Wireless Radiant Thermostat

Application Notes/Diagrams



AX10RF- Receiver Configured for a Boiler (RX1)



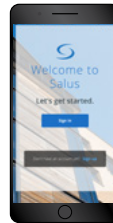
AKL01PRF-1 Zone Pump Wiring Center/Relay Controller



AKL04PRF-4 Zone Pump Wiring Center/Relay Controller



SG888ZB-Gateway



AKL06PRF-6 Zone Pump Wiring Center/Relay Controller



AX10RF- Receiver Configured for a Zone Valve (RX2)



AKL08RF-Zone Valve Wiring Center/Relay Controller



Compatible Equipment

SG888ZB	Basic Gateway
AKL01PRF	1-Zone Pump Wiring Center/Relay Controller
AKL04PRF	4-Zone Pump Wiring Center/Relay Controller
AKL06PRF	6-Zone Pump Wiring Center/Relay Controller
AKL08RF	Zone Valve Wiring Center/Relay Controller
ARV10RFM-3	Zigbee Battery Radiator Actuator
AX10RF	Zigbee Receiver



850 Main Street
Redwood City, CA 94603